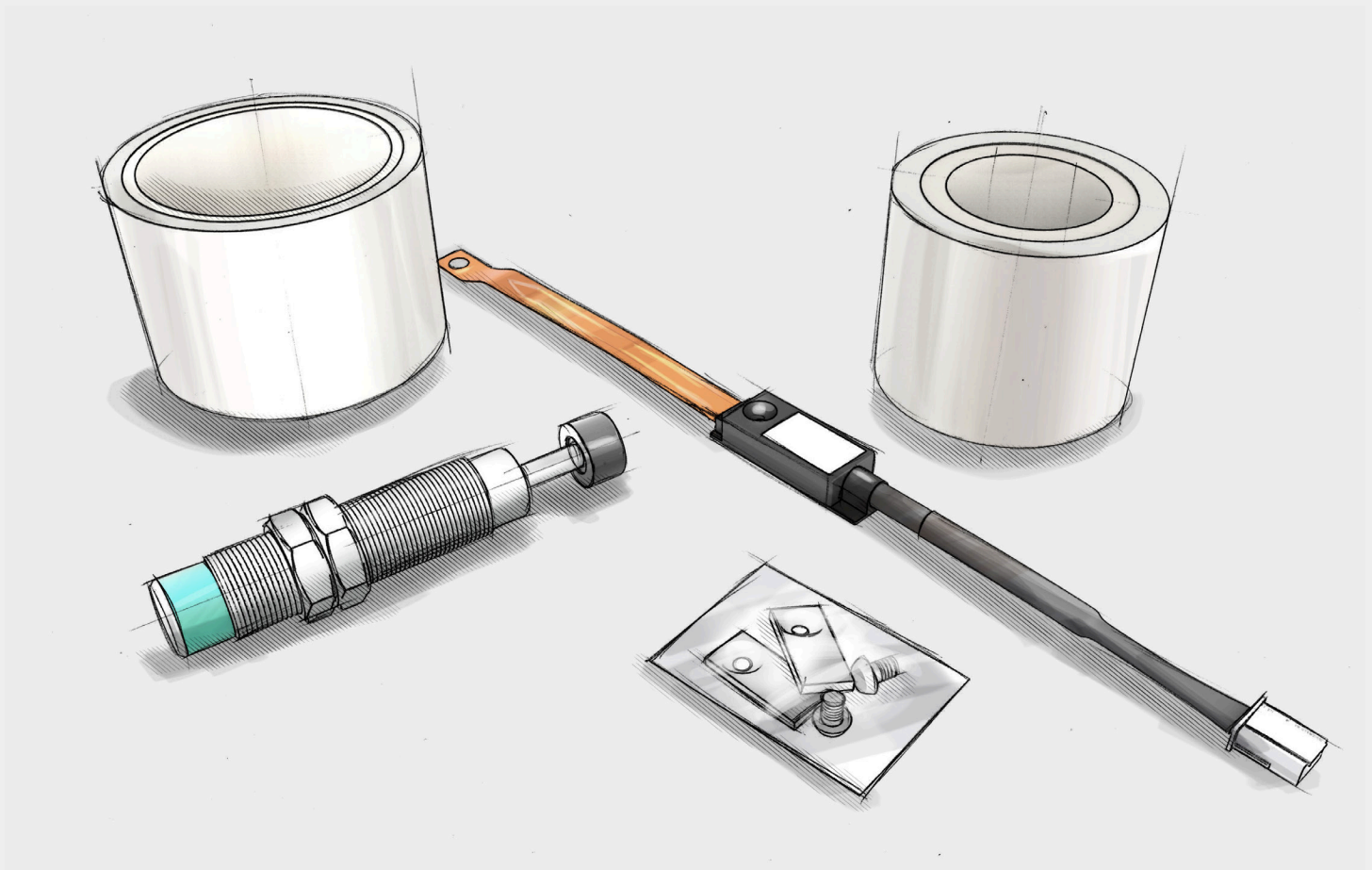


VAN DER STÄHL SCIENTIFIC  
**SERVICE KITS**

# SEALER PARTS KIT SPECIFICATIONS

---



**van der stahl**<sup>®</sup>  
SCIENTIFIC

[www.vanderstahl.com](http://www.vanderstahl.com)



## SEALER PARTS KIT

### ABOUT

With our service kits you will get all the critical consumable parts you need to keep your medical device packaging machines running smoothly. Preventive maintenance (PM) on critical machinery is the single most important step you can take to assure that your sterile device packaging plan will not be compromised. We can help you with instructional videos or by phone support in order to make in-house machine service a snap. You can also choose to have one of our skilled certified technicians service your sealer at our laboratory or even at your site. We can also perform a calibration on your equipment at your service in our ISO/IEC 17025 accredited calibration laboratory. We are here to support; call us today toll free at 800-550-3854

### Specifications

At Van der Stähl Scientific we stock thousands of OEM parts to help our customers manage down time on their packaging line. Your parts order typically ships the same day and is packed with care to assure safe arrival. Our team of machine experts can help guide you to the correct part for your machine and application. Periodical machine maintenance is essential for critical packaging applications such as medical device packaging. Let us help you stay compliant with your PM plan with our complete line of service and replacement parts.

The MS-350 super kit contains the following:

- 3 10mm L-type heating elements
- 1 Silicone rubber
- 1 Sarcon sheet
- 1 Temperature sensor module
- 1 Shock absorber
- 1 Roll of 38mm adhesive glass cloth tape
- 1 Roll of 38mm zone tape

The MD-series service kit contains the following:

- 2 PTFE strips for heating dies
- 2 PTFE strips for guide rails
- 2 Material transportation belts
- 1 Drive belt
- 1 Pressure roller
- 1 Printer ink cartridge

